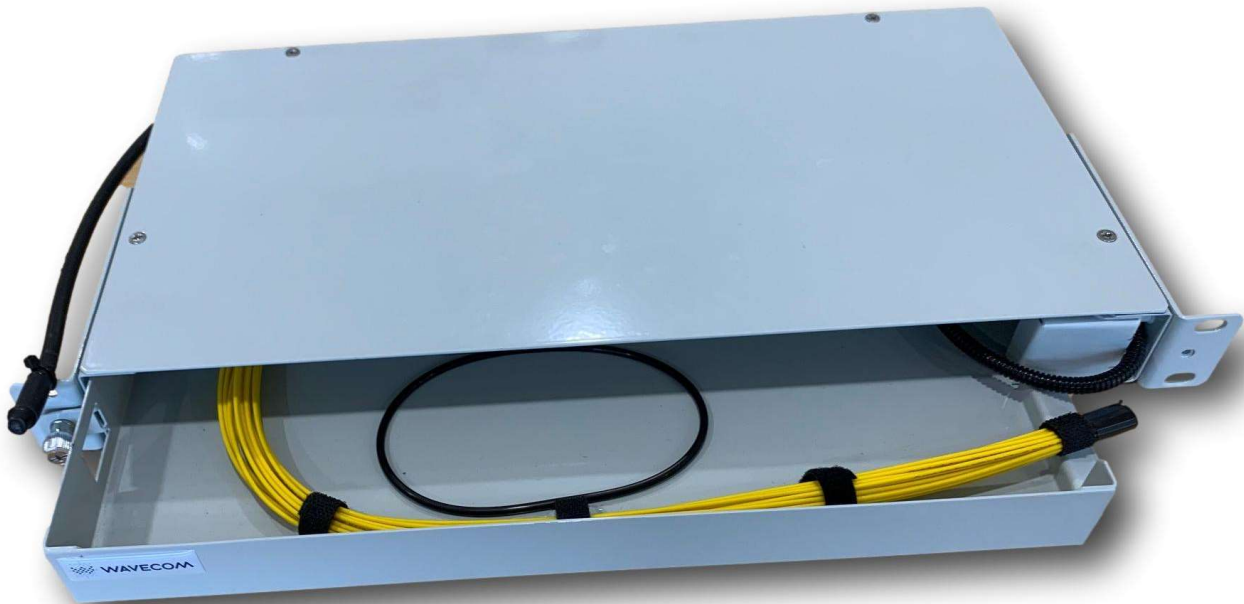




# WAVECOM

Innovative Network Solutions

## Wavecom Slimline Fusion OFDF



Wavecom Slimline Fusion OFDF designed to accept up to 24 individual fibres within the 1RU footprint. Fibres are stored and spliced when required to the active equipment.

The front pivoting panel allows for easy access to the record label and uninterrupted access to the individual Single Fibre organizer bags.

This innovative panel can pivot up to 90° and this gives easy access and allows for any rework that may be required in the future.



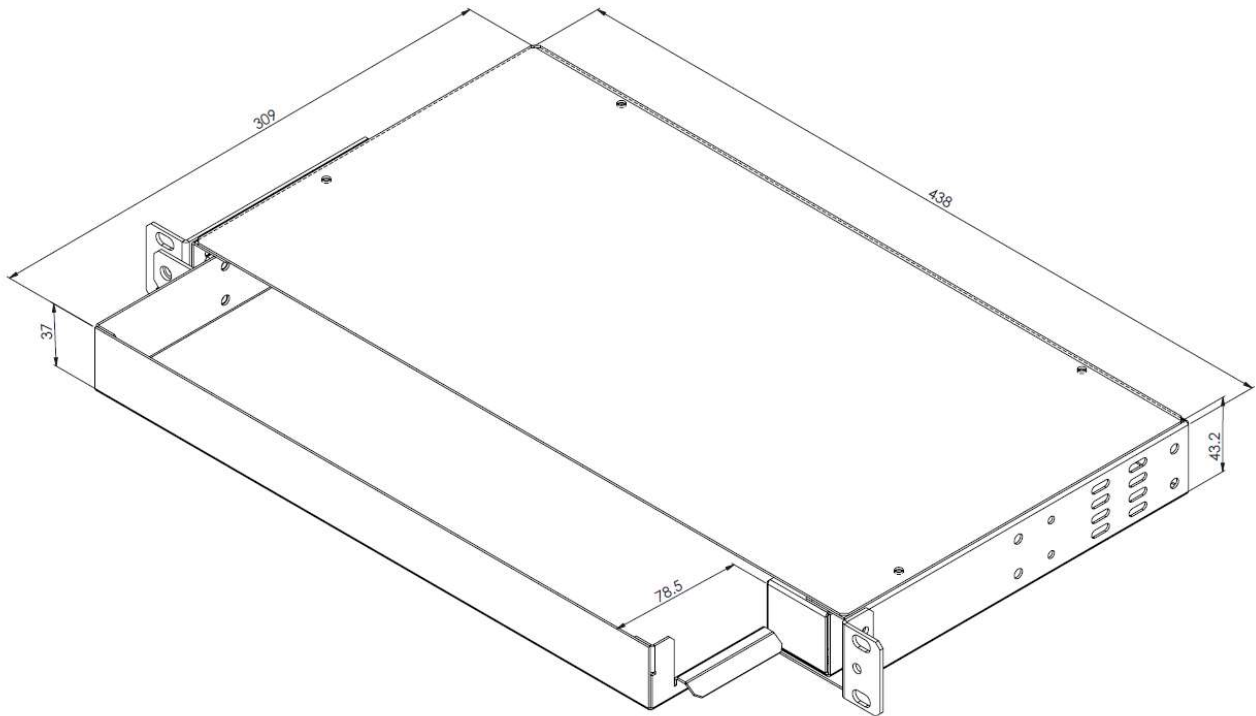
## SPECIFICATION

General Specifications	
Mounting Type	Rack 19"
Height Unit	1U
Material	Cold Rolled Steel
Housing Color	Black
Application	Indoor IP20
Lockable	No
Dimensions (W x D x H in MM)	490.3x311.2x43.4
Net Weight	4.00Kg





## TECHNICAL DRAWINGS



## ORDERING INFORMATION

Part Number	Product Description
WC-ROPP01FSR	1U Slimline FSOFDH-RH hinge.